

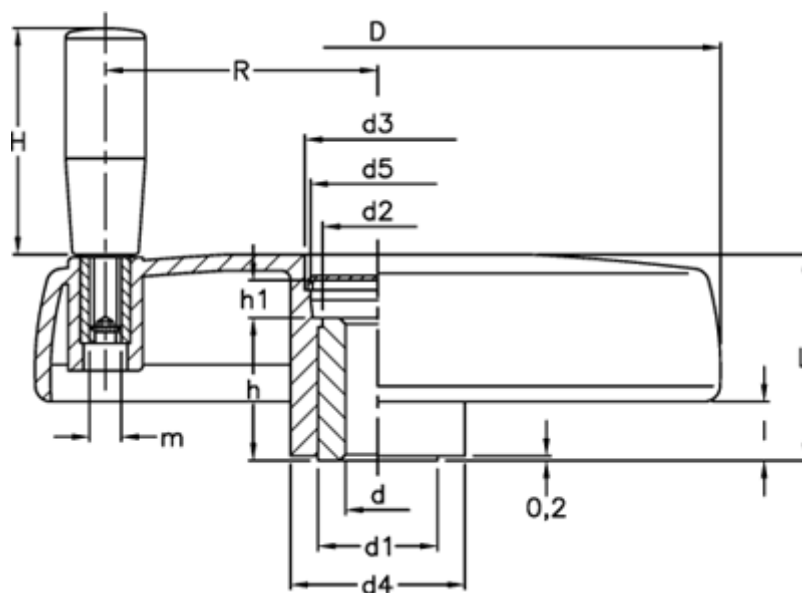
Data Sheet



Article number: 2301072801

Description: E+G Handwheel
VDS.175+I-A16

Measures



C (N m) = 195	H = 80
D = 176	h = 28
d1 = 35	h1 = 16
d2 = 33.0	l = 13
d3 = 39.0	L = 49
d4 = 44	L (J) = 26
d5 = 35	m = M10
d H7 = 16	R = 70.0